

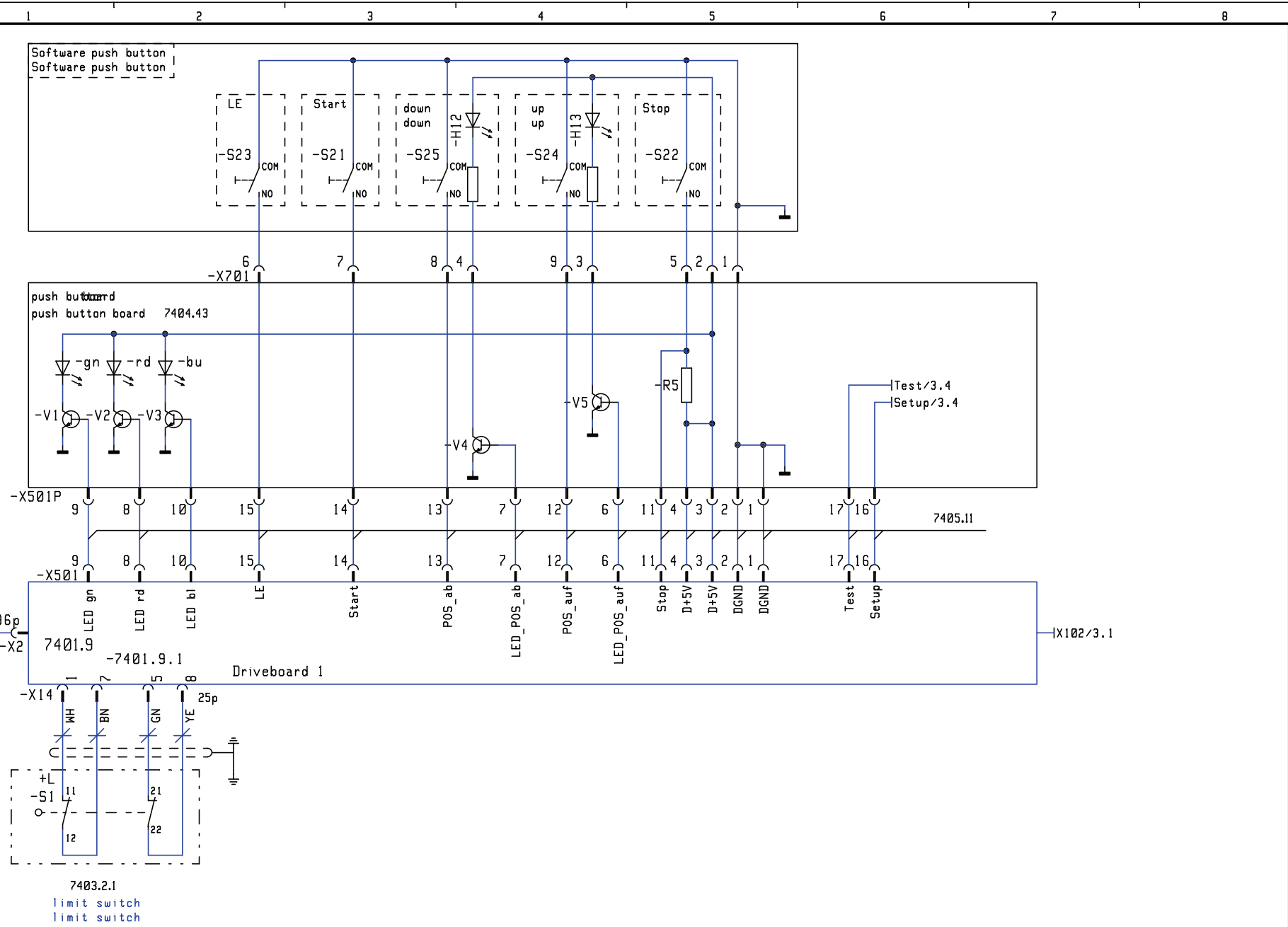
connecting load : 0,5kVA
 connecting load
 power supply : 1x230V ,N,PE 50/60Hz
 power supply

modification	date	name	date	name
a	13.10.15	use-za	09.01.14	ups-rei
b				
c				
d				



power supply
 power supply

project name tCII-Zwicki-160W		appliance= A	
ident number 087367		location + tC	
drawing number 7400.5a		sheet 1	
		5 shts.	

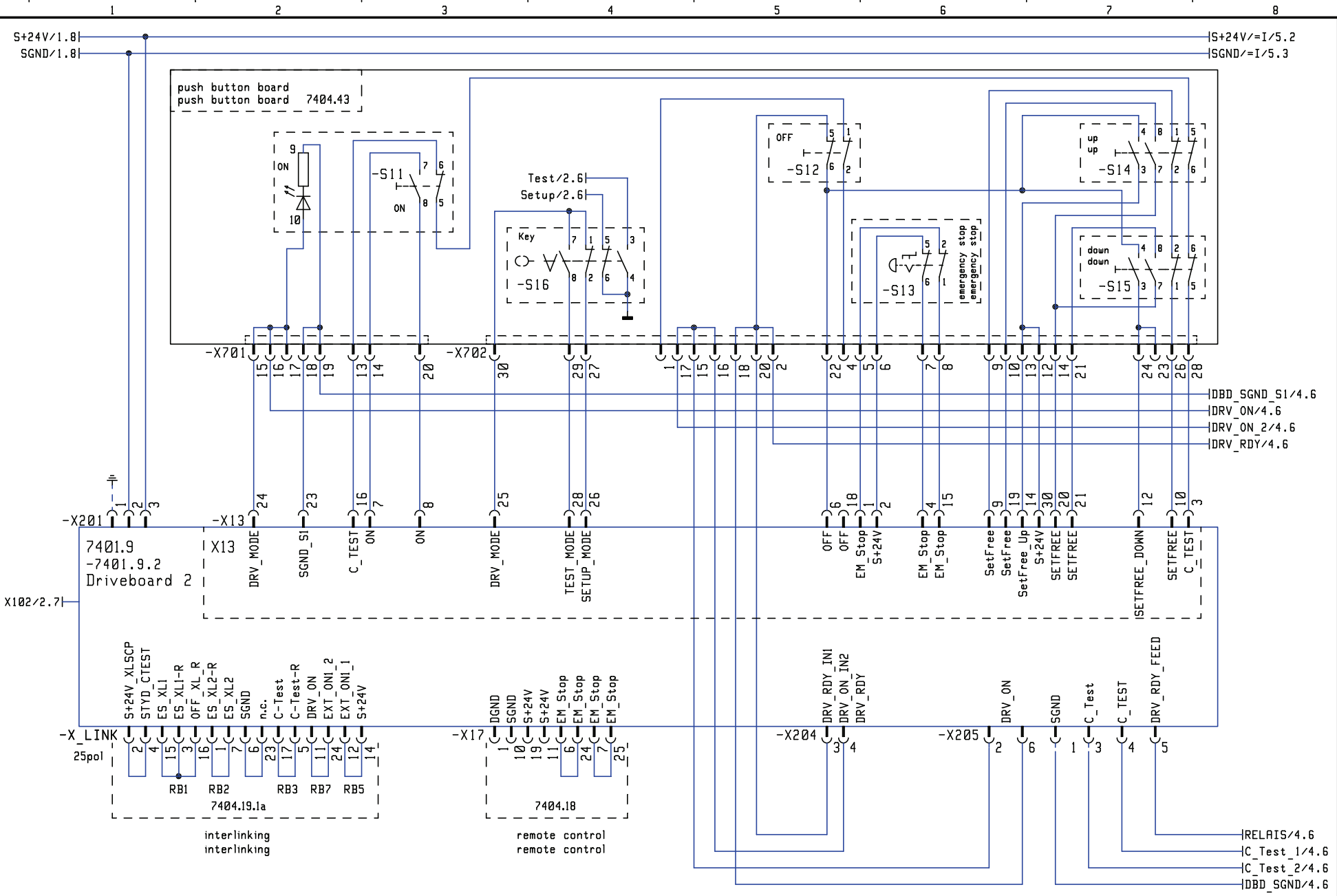


modification	date	name	date	name
a			gez. 08.01.14	ups-rei
b				
c			gepr.	
d				

Zwack
Materialprüfung

Driveboard 1

project name tCII-Zwacki-160W		appliance= A	
ident number 087367		location + tc	
drawing number 7400.5a		sheet 2	
		5 shts.	

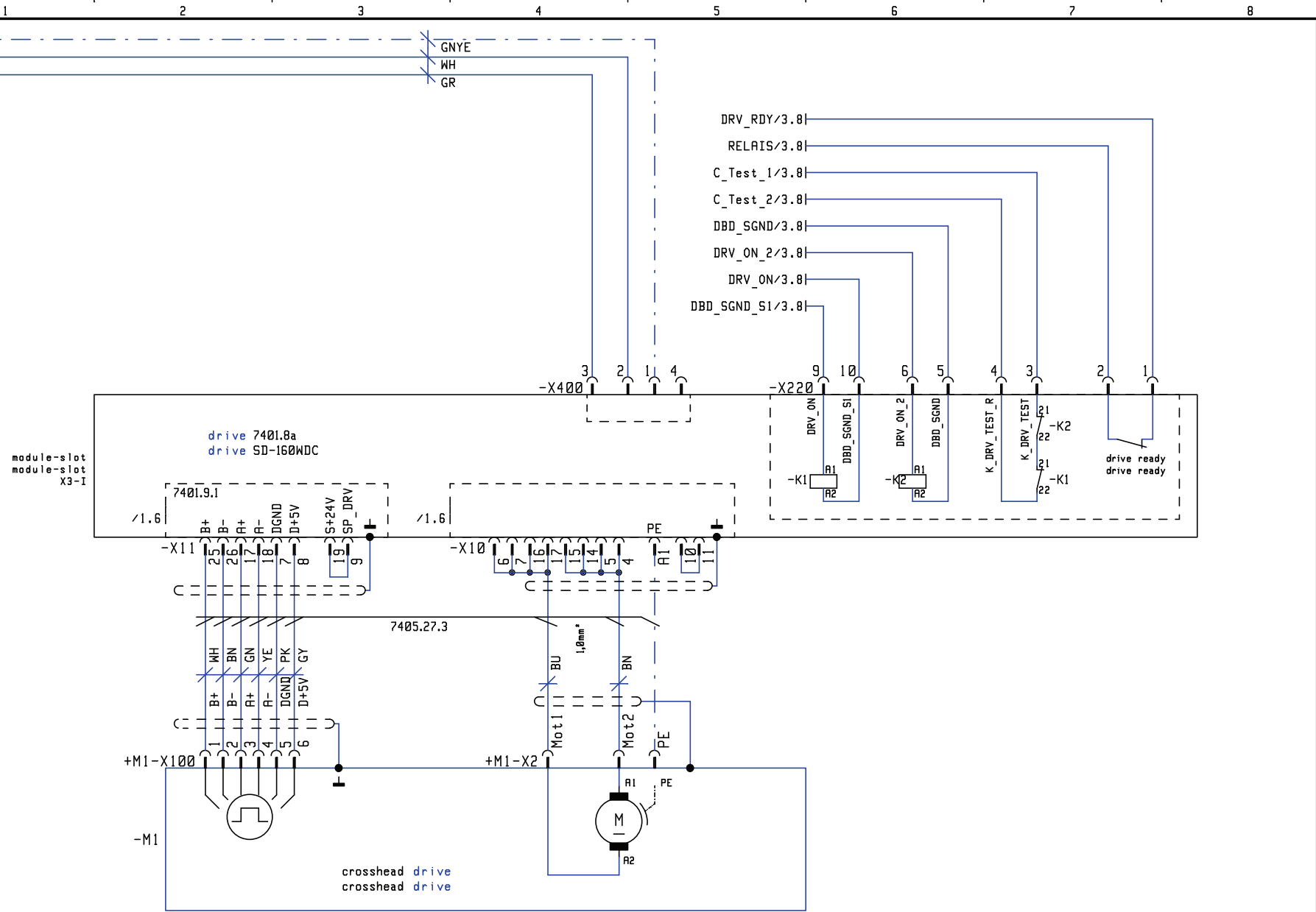


modification	date	name	date	name
a	13.10.15	use-za	09.01.14	ups-rei
b				
c				
d				

Zwick
Materialprüfung

driveboard
driveboard

project name tCII-Zwicki-160W		appliance= A	
ident number 087367		location + tC	
drawing number 7400.5a		sheet 3	
		5 shts.	



	modification	date	name	gez.	date	name
a	3251	08.05.14	usk-gd		09.01.14	ups-rei
b		13.10.15	use-za			
c				gepr.		
d						

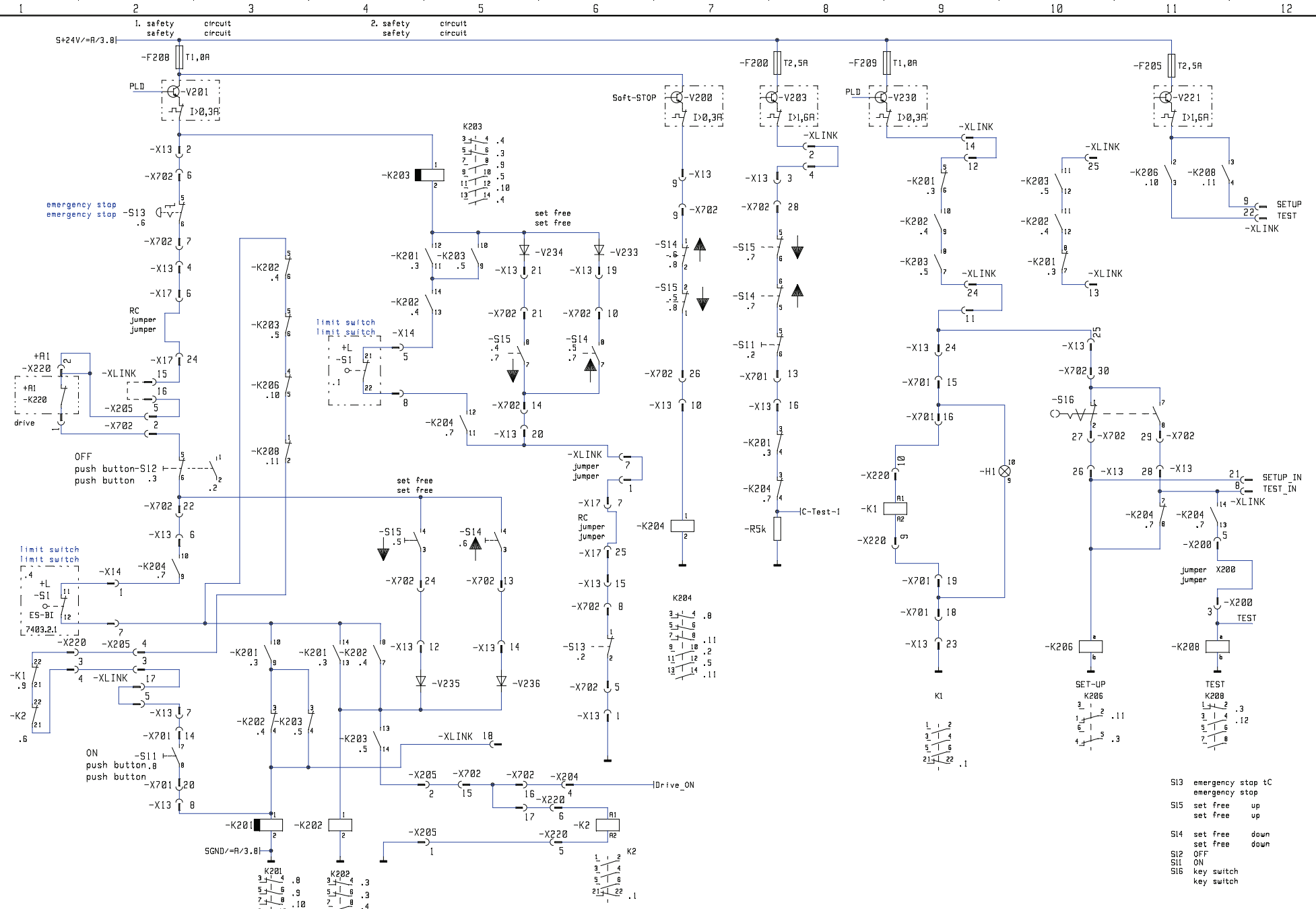


drive
drive

project name tCII-Zwicki-160W		appliance= A	
ident number 087367		location + tc	
drawing number 7400.5a		sheet 4	
		5 shts.	

pl01 29.10.15

Vervielfältigung oder Weitergabe nur mit unserer schriftlichen Genehmigung gestattet



- S13 emergency stop tC emergency stop
- S15 set free up set free up
- S14 set free down set free down
- S12 OFF
- S11 ON
- S16 key switch key switch

modification	date	name	drawn	date	name
a			drawn	22.01.14	ups-rei
b			checked		
c					
d					

Zwick
Materials Testing

emergency stop
emergency stop

project name tC11-Zwicki-160W	appliance= location + tC
ident number 087367	drawing number 7400.5a
sheet 5 5 shts.	